

# Data Sheet

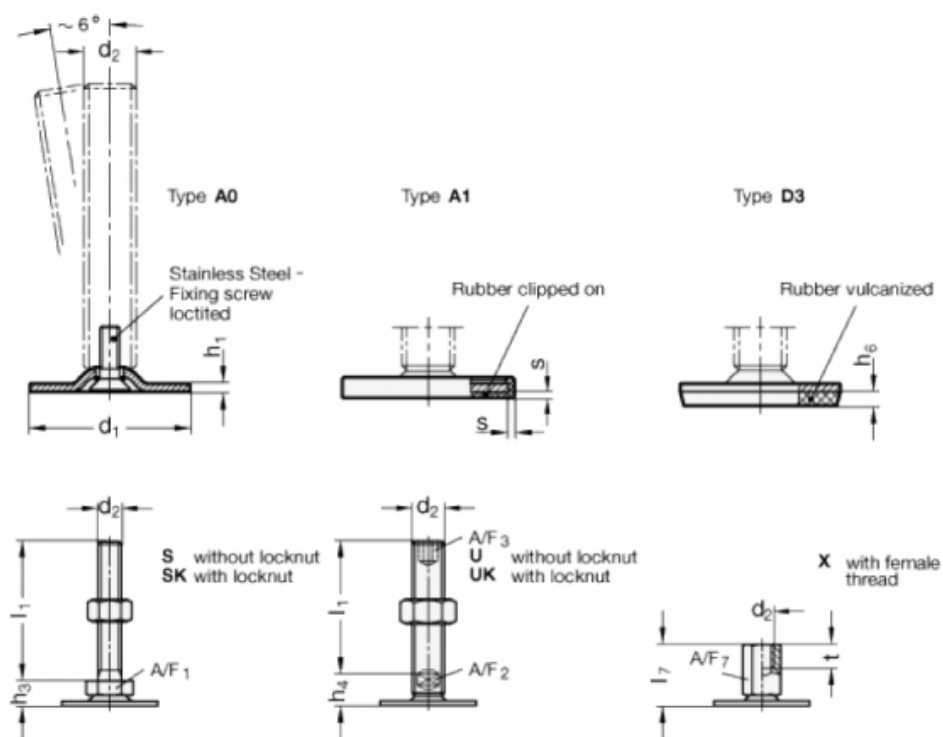


Article number: 204050M16200A0UK

Description: E+G levelling foot  
GN 40-50-M16-200-A0-UK

Note: UK With nut, Hexagon socket at the top, Wrench flat at the bottom

## Measures



A/F2 = 12

A/F3 = 8

d1 = 50

d2 = M16

h1 = 2.5

h4 = 17

h6 =

l1 = 200

s =